

# Rotavator 400B / 400S



Reservedelsliste

Spare parts list

Ersatzteilliste

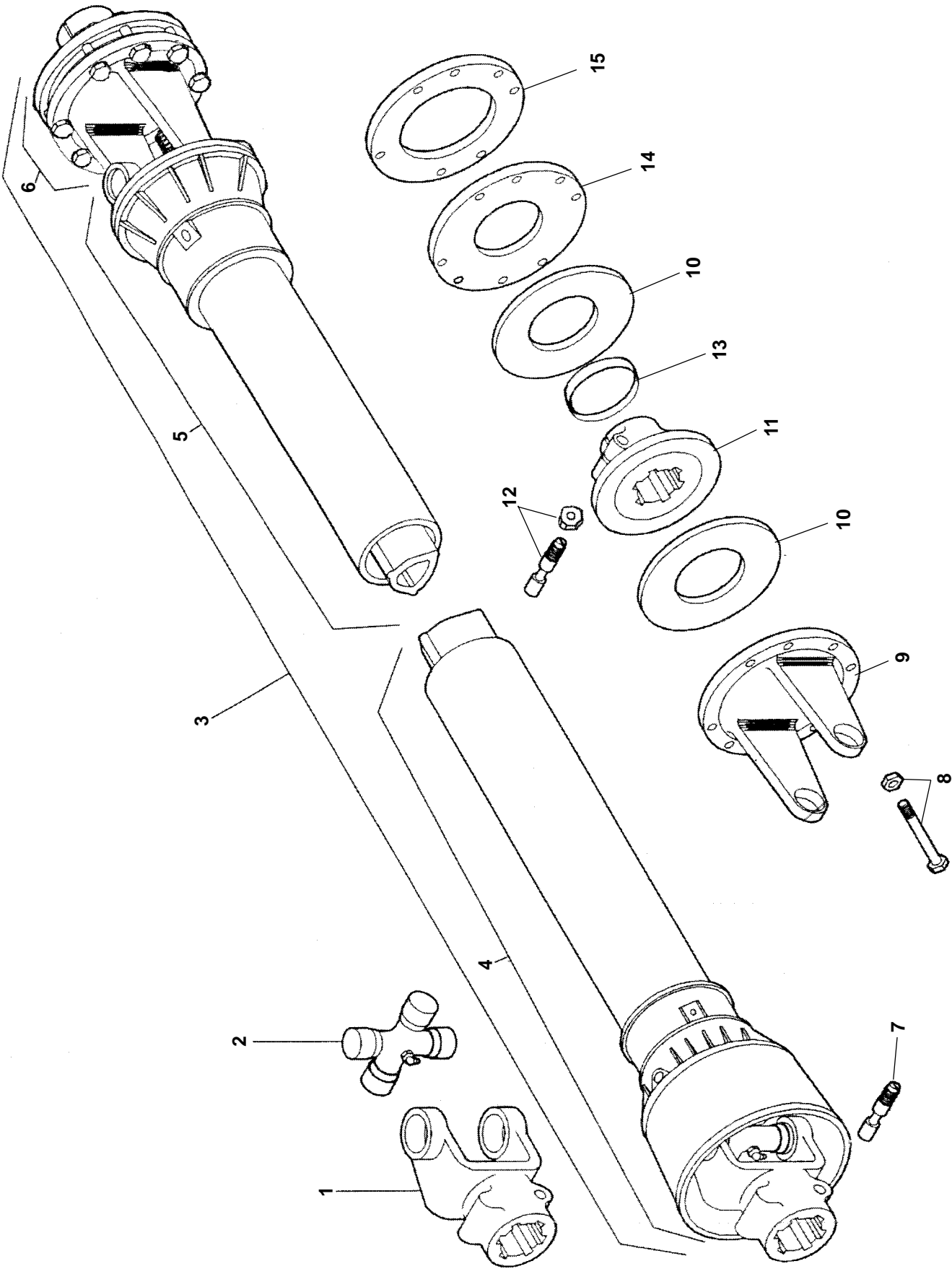
Onderdelenlijst

Liste de pièce de rechange

Lista de piezas

Parti di ricambio

# ROTAVATOR 400





# ROTAVATOR 400

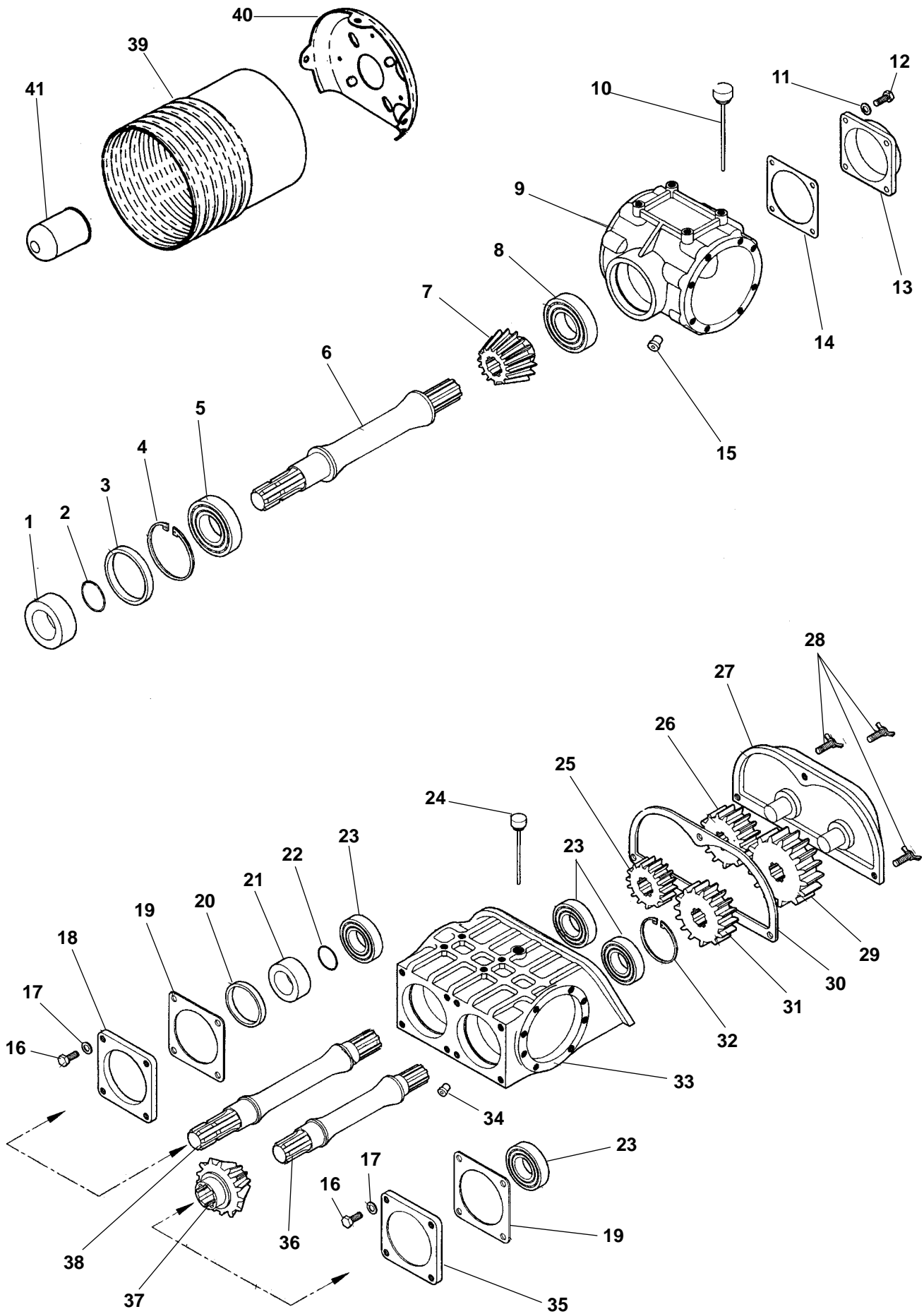


Fig.	Serial nº	Part nº	Pieces	Notes
1		74000640622	1	
2		74202070530	1	O'ring 40 x 48 x 4 mm.
3		71268060102	1	Seal 80 x 60 x10 mm.
4		71208001320	1	Circlip I - 80
5		73254080201	1	Bearing #30208
6		74000640626	1	
7		74000640118	1	
8		73254080201	1	Bearing #30208
9		74000640971R	1	
10		74000649854	1	
11		74108061140	4	Spring washer M10
12		74301210250	4	Bolt M10 x 25 mm.
13		74000328069	1	
14		74000328071	#	0,5 mm.
14		74000328072	#	0,25 mm.
15		71203031232	1	Plug 1/4"
16		74301210250	8	Bolt M10 x 25 mm.
17		74108061140	8	Spring washer M10
18		74000640968R	1	
19		74000640949	#	0,1 mm.
19		74000640970	#	0,5 mm.
19		74000640973	#	0,25 mm.
20		71267250121	1	Seal 72 x 50 x 12 mm.
21		74000640993	1	
22		74202023920	1	O'ring 37 x 32 x 2,5 mm.
23		73254080201	4	Bearing #30208
24		74000649854	1	
25		74000064532	1	Z 20
26		74000064534	1	Z 22
27		74000069337R	1	
28		74301210250	3	Bolt M10 x 25mm.
29		74000064536	1	Z 24
30		74000064706	1	
31		74000064538	1	Z 26
32		71208001320	1	Circlip I - 80
33		74000640965R	1	
34		74203031230	1	Plug 1/4"
35		74000640969R	1	
36		74000640967	1	
37		74000640118	1	
38		74000640972	1	
39		74966829100	1	
40		74966829300	1	
41		71202040590	1	

# ROTAVATOR 400

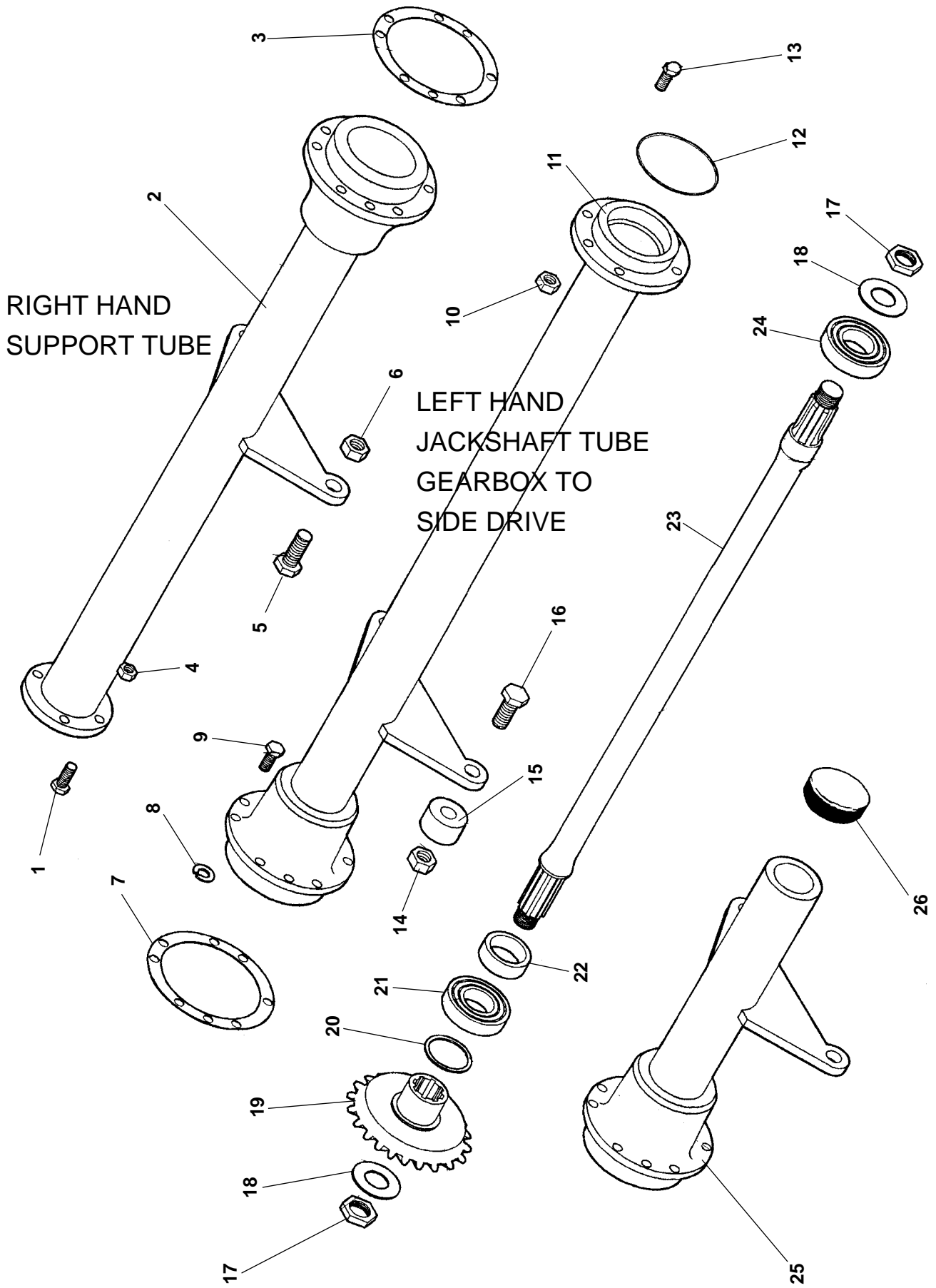
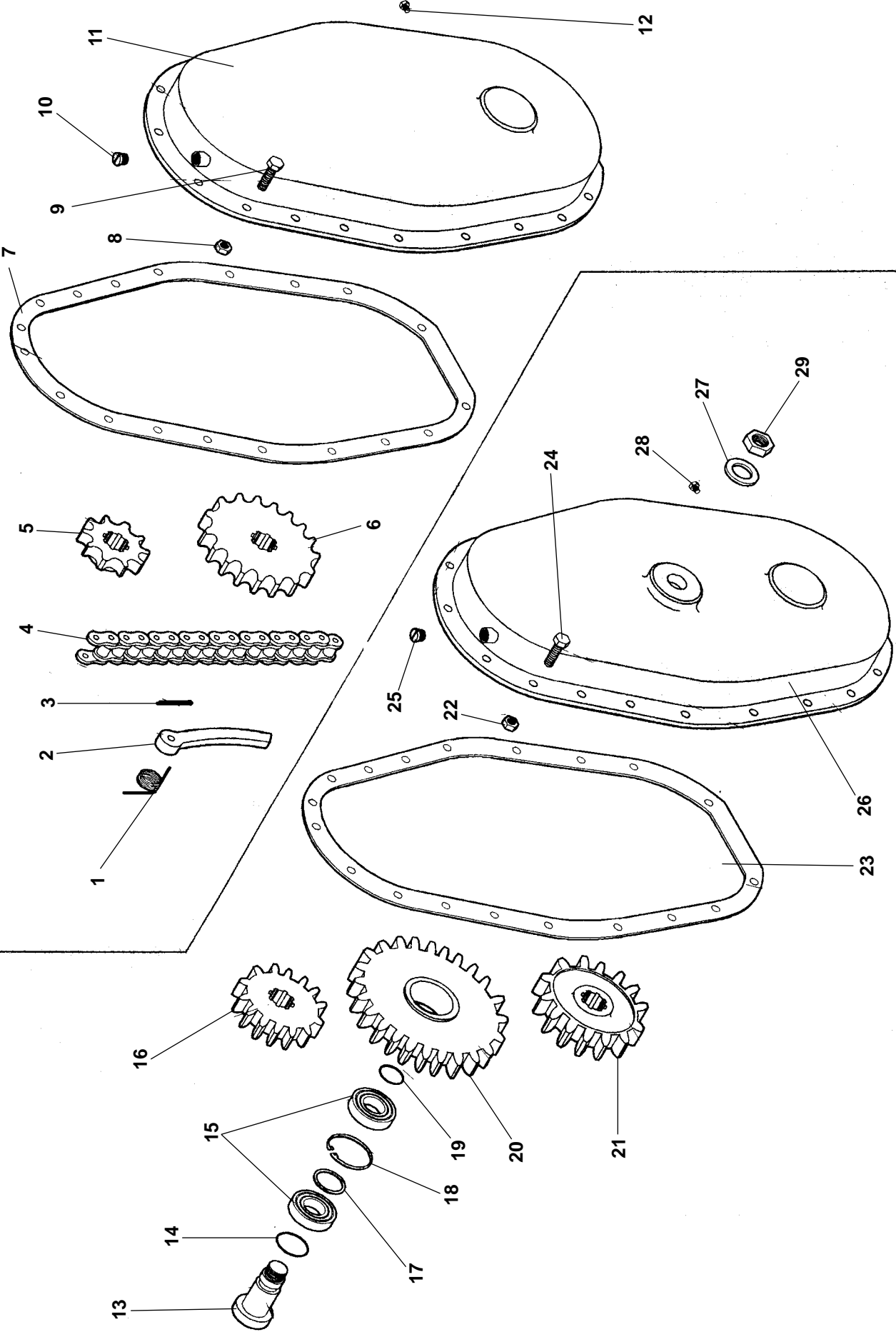


Fig.	Serial nº	Part nº	Pieces	Notes
1		74301210250	4	Bolt M10 x 25 mm.
2		74966846115R	1	150
2		74966846116R	1	160
2		74966846118R	1	180
2		74966846119R	1	190
2		74966846120R	1	205
3		740000061021	1	
4		73307210050	4	Self locking nut M10
5		71301212450	2	Setscrew M12 x 45 mm.
6		73307212050	2	Self locking nut M12
7		74000061021	1	
8		74108061140	8	Spring washer M10
9		74301210250	8	Bolt M10 x 25 mm.
10		73307210050	6	Self locking nut M10
11		74966846208R	1	80 M
11		74966846209R	1	90 M
11		74966846210R	1	100 M
11		74966846211R	1	115 M
11		74966846213R	1	130 M
11		74966846214R	1	140 M
11		74966846215R	1	150 M
11		74966846216R	1	160 M
11		74966846218R	1	180 M
11		74966846219R	1	190 M
11		74966846220R	1	205 M
11		74966846313R	1	130 S
11		74966846314R	1	140 S
11		74966846315R	1	150 S
11		74966846316R	1	160 S
11		74966846318R	1	180 S
11		74966846319R	1	190 S
11		74966846320R	1	205 S
12		74202072550	1	O'ring 97 x 105 x 4 mm.
13		74301210250	6	Bolt M10 x 25 mm.
14		73307212050	2	Self locking nut M12
15		74000665892R	2	
16		74301212600	2	Bolt M12 x 60 mm.
17		74000640114	2	Special nut
18		74203026020	2	Belleville
19		74000640117	1	
20		74267055081	1	Seal 70 x 55 x 8 mm.
21		71255510231	1	Bearing #30211
22		74000640115	1	
23		74000665918	1	80 M
23		74000665919	1	90 M
23		74000665920	1	100 M
23		74000665921	1	115 M
23		74000665922	1	130 M
23		74000665923	1	140 M
23		74000665924	1	155 M
23		74000665925	1	165 M
23		74000665926	1	180 M
23		74000665927	1	190 M
23		74000665928	1	205 M
23		74000665929	1	130 S
23		74000665930	1	140 S
23		74000665931	1	155 S
23		74000665932	1	165 S
23		74000665933	1	180 S
23		74000665934	1	190 S
23		74000665935	1	205 S
24		73254090251	1	Bearing #30308
25		74966859600R		130 - 205
25		74966859601R		80 - 115
26		74966878300		

# ROTAVATOR 400







# ROTAVATOR 400

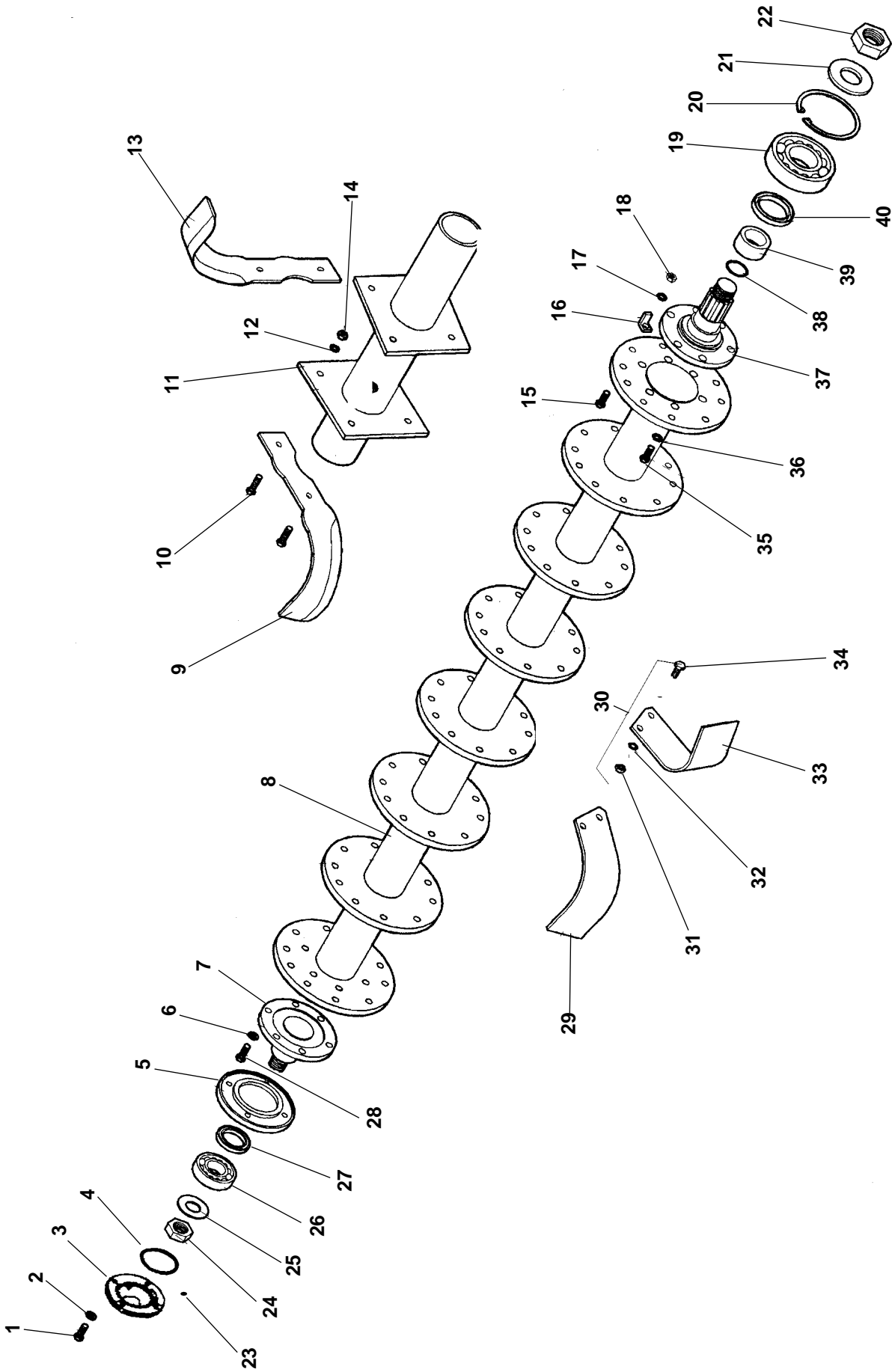


Fig.	Serial nº	Part nº	Pieces	Notes
1		74301210350	4	Bolt M10 x 35 mm.
2		74108061140	4	Spring washer M10
3		74966881000R	1	
4		74202071190	1	O'ring 76 x 3 mm.
5		74000640953	1	
6		71108081440	6	Spring washer M12
7		74000665055	1	
8		74000666050R	1	80 closed
8		74000666051R	1	90 closed
8		74000666052R	1	100 closed
8		74000666053R	1	115 closed
8		74000640956R	1	130 closed
8		74000665525R	1	140 closed
8		74000640957R	1	155 closed
8		74000649824R	1	165 closed
8		74000640958R	1	180 closed
8		74000649825R	1	190 closed
8		74000649140R	1	205 closed
8		74000667938R	1	90 open
8		74000667846R	1	100 open
8		74000667847R	1	115 open
8		74000667848R	1	130 open
8		74000667833R	1	140 open
8		74000667909R	1	155 open
8		74000667910R	1	165 open
8		74000667911R	1	180 open
8		74000667912R	1	190 open
8		74000667913R	1	205 open
9		73000009942V	#	▶
10		74101107140	#	Bolt 7/16" UNF
11		74000667404R	1	180
11		74000667405R	1	205
12		73108071240	#	Spring washer 7/16"
13		73000009941V	#	◀
14		74000061188	#	Nut 7/16"
15		74000009852	2	
16		74000649784V	1	▶
16		74000649785V	1	◀
17		73108071240	2	Spring washer
18		74000061021	2	
19		71255011271	1	▶ Bearing #6310
20		73208001520	1	Circlip I - 110
21		74203026020	1	Belleville
22		74000640114	1	
23		71202030020	1	◀ Grease nipple 1/8"
24		74000665062	1	
25		71308240020	1	Belleville
26		73253072191	1	Bearing #6306
27		74266545081	1	Seal 65 x 45 x 8 mm.
28		74301212300	6	Bolt M12 x 30 mm.
29		73000009901V	#	
30		74000069667	#	
31		74000061188	#	
32		73108071240	#	Spring washer
33		73000009900V	#	
34		74000009852	#	
35		71301214300	6	Bolt M14 x 30 mm.
36		71308140040	6	Spring washer M14
37		74000640950	1	
38		73202023410	1	O'ring 44 x 50 x 3 mm.
39		74000640951	1	
40		74269065132	1	Seal 90 x 65 x 13 mm.

# ROTAVATOR 400

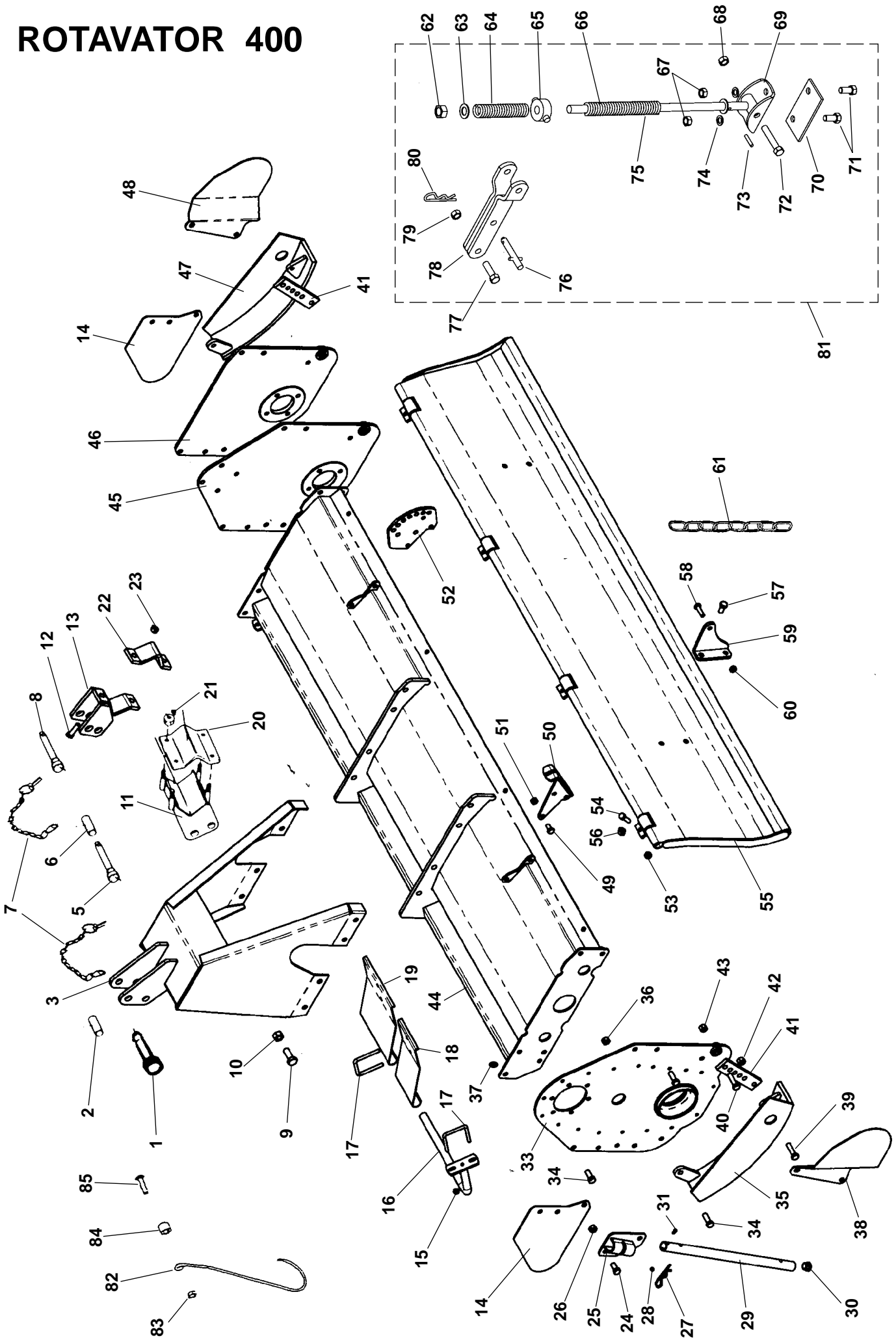
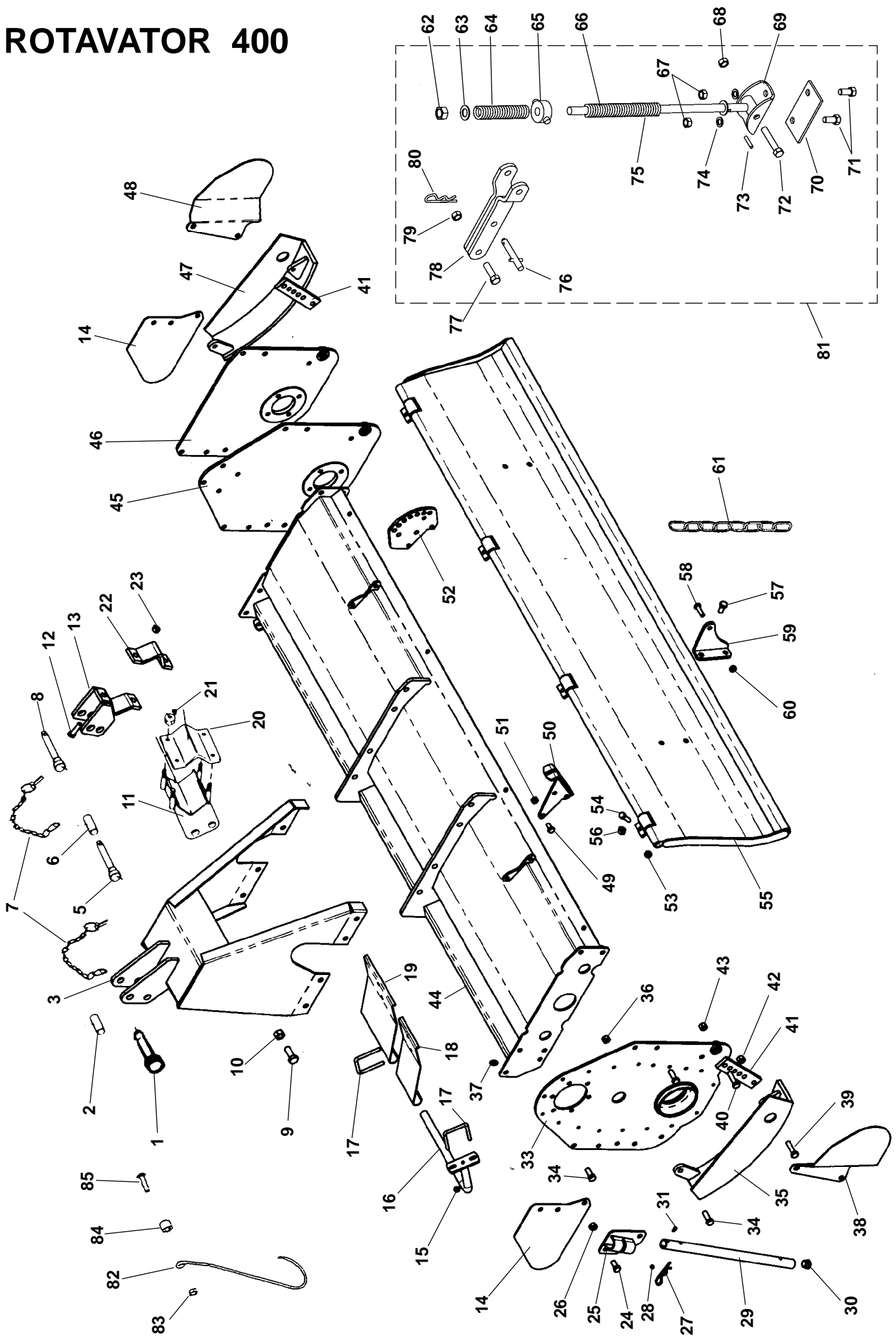


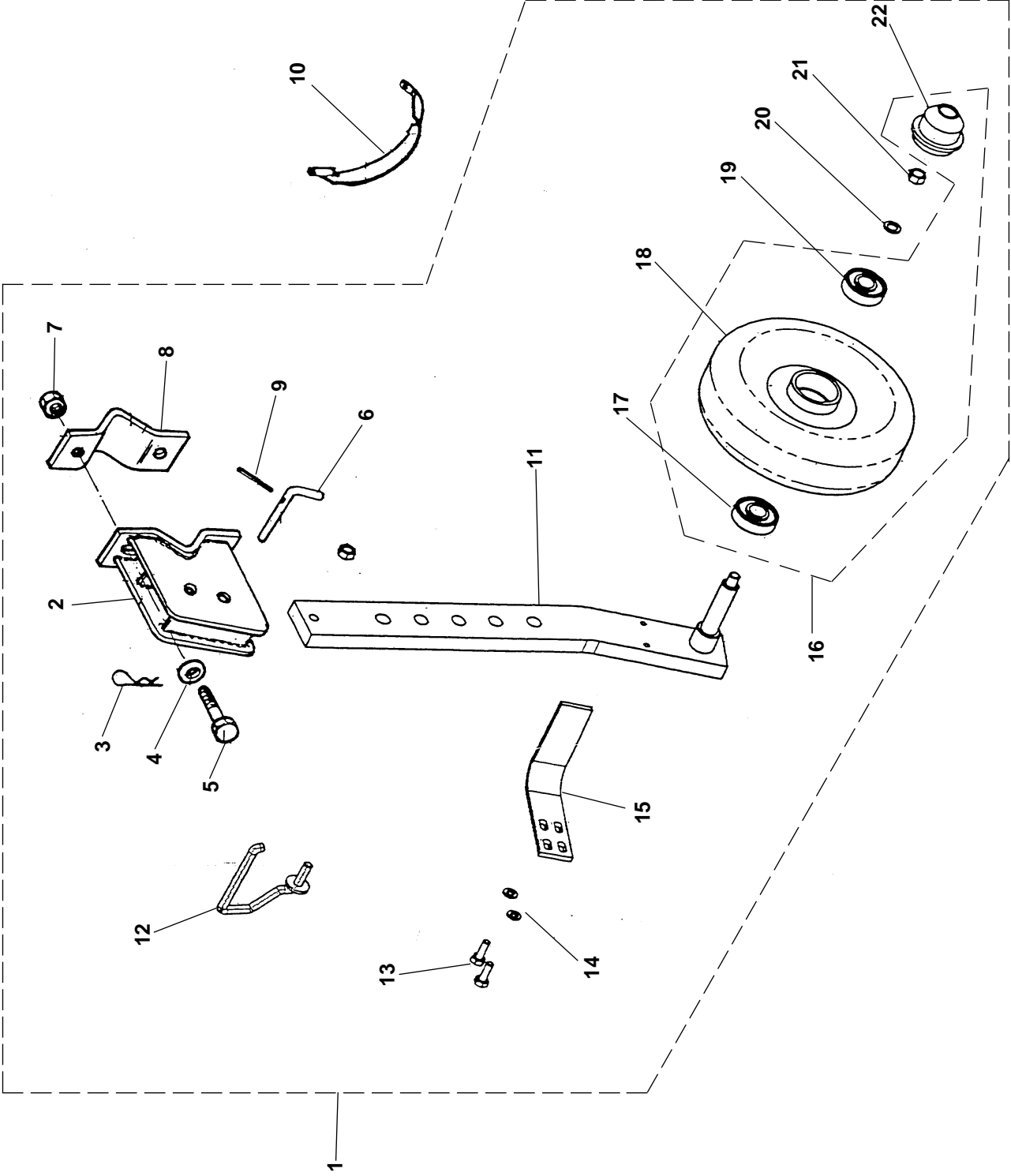
Fig.	Serial nº	Part nº	Pieces	Notes
1		74000065566	1	
2		74000065577	1	
3		74966845500R	1	
4		74000060495	1	
5		71000650273	2	
6		71000650298	2	
7		74966887500	2	
8		71000624176	2	
9		71301412355	8	Bolt M12 x 35 mm.
10		73307212050	8	Self locking nut M12
11		71000651673R	2	
12		71301214505	4	Bolt M14 x 50 mm.
13		71000182016R	2	
14		74966846600R	2	
15		73307208050	#	Nylock nut M8
16		71000106383	2	080 - 130
16		71000106388	2	140 - 180
16		749668469 00	2	190 - 205
17		71000105501	#	
18		74966846712	#	
19		74966846720	#	
20		71000624175R	2	
21		71307214050	8	Self locking nut M14
22		71000628210R	2	
23		71307214050	4	Self locking nut M14
24		74301212250	2	Bolt M12 x 25 mm.
25		74966849200R	1	
26		73307212050	2	Self locking nut M12
27		74000649654	1	Pin
28		73307206050	1	Self locking nut M6
29		74966847302	1	
30		71208044480	1	Plastic Plug
31		74301206150	1	Bolt M6 x 15 mm.
32		74301212305	4	Bolt M12 x 30 mm.
33		74966843400R	1	S
33		74966845700R	1	B
34		71301212355	2	Bolt M12 x 35 mm.
35		74000667843R	1	
36		73307212050	4	Self locking nut M12
37		73307212050	1	Self locking nut M12
38		74966844600R	1	
39		71301212355	2	Bolt M12 x 35 mm.
40		71301212450	1	Bolt M12 x 45 mm.
41		74966868300	2	
42		73307212050	1	Self locking nut M12
43		73307212050	1	Self locking nut M12
44		74966843708R	1	80
44		74966843709R	1	90
44		74966843710R	1	100
44		74966843711R	1	115
44		74966843713R	1	130
44		74966843714R	1	140
44		74966843715R	1	155
44		74966843716R	1	165
44		74966843718R	1	180
44		74966843719R	1	190
44		74966843720R	1	205
45		74966843000R	1	
46		74966843001R	1	
47		74000667842V	1	
48		74966844700R	1	
49		74301210250	#	Bolt M10 x 25 mm.
50		74966849600R	#	
51		73307210050	#	Self locking nut M10
52		74966845000R	#	
53		73307210050	#	Self locking nut M10
54		74301210300	#	Bolt M10 x 30 mm.
55		74966844108R	1	80
55		74966844109R	1	90
55		74966844110R	1	100
55		74966844111R	1	115
55		74966844113R	1	130
55		74966844114R	1	140
55		74966844115R	1	155
55		74966844116R	1	165

# ROTAVATOR 400





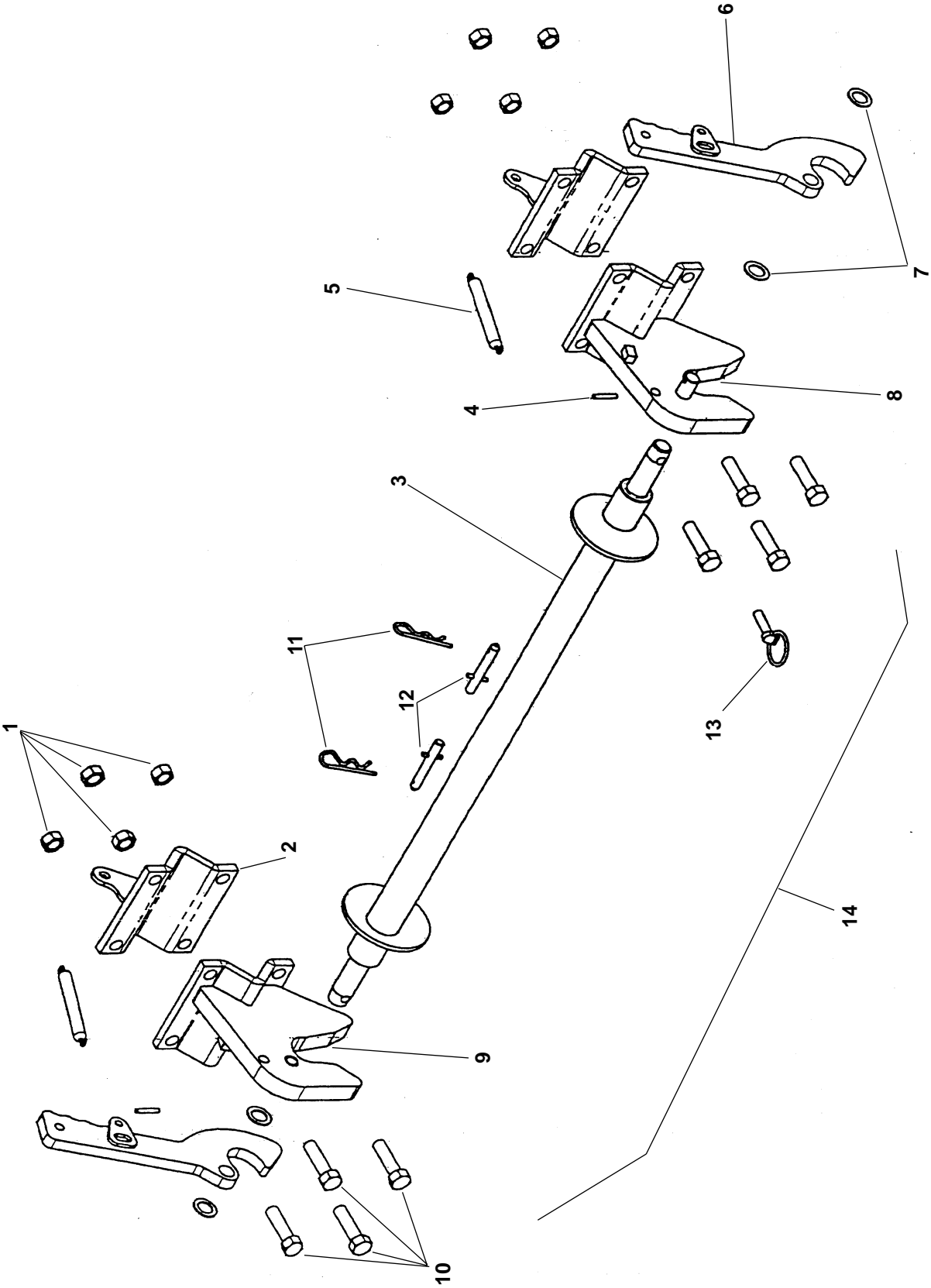
# ROTAVATOR 400







# ROTAVATOR 400





PN: 74966884600

June 2014